

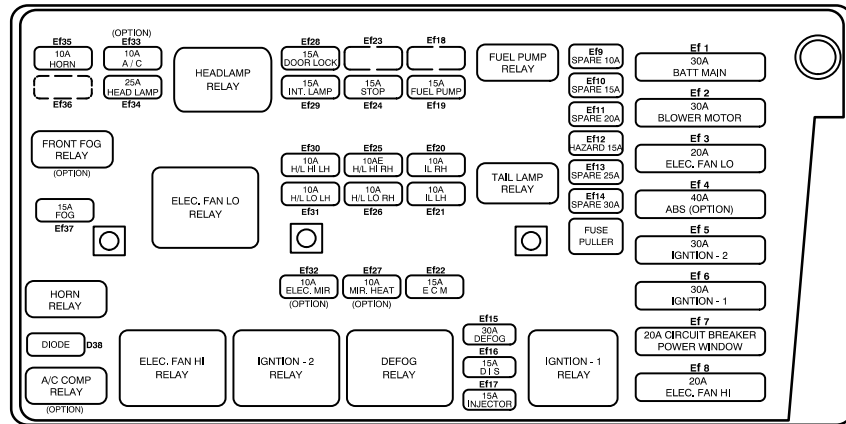
SECTION 4

USAGE AND CAPACITY OF FUSES

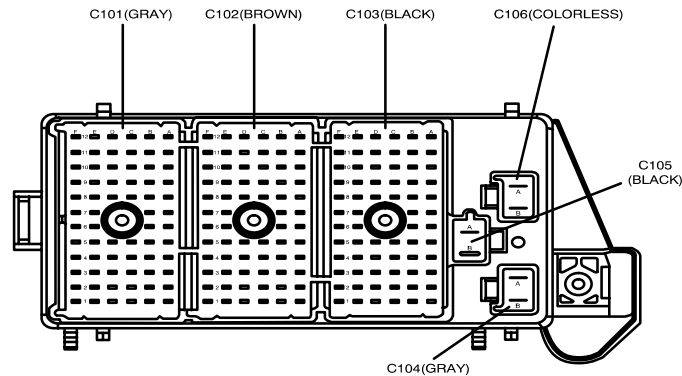
1. ENGINE COMPARTMENT RELAY AND FUSE BOX

1) POSITION OF RELAY AND FUSE

• Front View



• Rear View



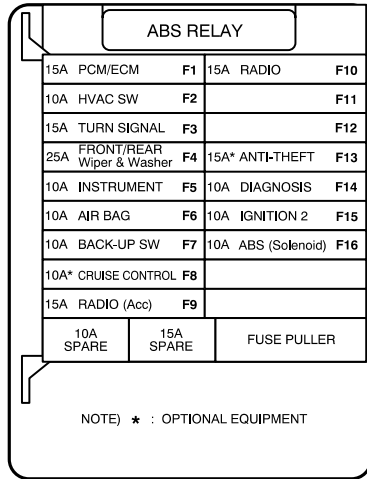
2) USAGE OF FUSES IN ENGINE COMPARTMENT FUSE BOX

Power Supply	Classification	Fuse No	Capacity	Usage
30 BAT(+)	SB(Slow-Blown Fuse)	Ef 1	30A	Battery Main (F10, F11, F12, F13, F14)
		Ef 2	30A	Blower Motor
		Ef 3	20A	Cooling Fan Low Speed
		Ef 4	40A	ABS (Option)
		Ef 5	30A	Ignition-2(Key)
		Ef 6	30A	Ignition-1(Key)
	Circuit Brake	Ef 7	20A	Ignition Relay "2"(Power Window)
	SB Fuse	Ef 8	20A	Cooling Fan High Speed
Spare	Blade Type Fuse	Ef 9	10A	Not Used
30 BAT(+)		Ef 10	15A	Not Used
Spare		Ef 11	20A	Not Used
30 BAT(+)		Ef 12	15A	Hazard
Spare		Ef 13	25A	Not Used
30 BAT(+)		Ef 14	30A	Not Used
IGN 1 (15)		Ef 15	30A	Defroster
		Ef 16	15A	DIS
		Ef 17	15A	Injector
		Ef 18		Not Used
		Ef 19	15A	Fuel pump
Illumination (58)		Ef 20	10A	Illumination RH
		Ef 21	10A	Illumination LH
30 BAT(+)		Ef 22	15A	ECM
Light (58)		Ef 23	-	Not Used
IGN 2(15A)		Ef 24	15A	Brake Lamp (Stop Lamp)
30 BAT(+)		Ef 25	10A	Head Lamp Hi Beam RH
Light (58)		Ef 26	10A	Head Lamp Low Beam RH
IGN 2(15A)		Ef 27	10A	Electric Mirror Heat
30 BAT(+)		Ef 28	15A	Central Door Locking
		Ef 29	15A	ABS, Cluster, Remind S/W, Clock
		Ef 30	10A	Heat Lamp Hi Beam LH
		Ef 31	10A	Heat Lamp Low Beam LH
		Ef 32	10A	Electric Mirror, Heating Mat
		Ef 33	10A	Air Conditioner
30 BAT(+)		Ef 34	25A	Head Lamp
		Ef 35	10A	Horn
		Ef 36	-	Not Used
		Ef 37	15A	Fog Lamp
Diode		D 38	-	A/C Compressor

4-3 USAGE AND CAPACITY OF FUSES

2. PASSENGER ROOM FUSE BOX

1) POSITION OF FUSE AND RELAY



2) USAGE OF FUSES IN PASSENGER ROOM FUSE BOX

Power Supply	Classification	Fuse No	Capacity	Usage	
15 IGN "1" ON	Blade Type	F1	15A	PCM, Ignition Relay "1"	
		F2	10A	Airconditioning System	
		F3	15A	Hazard, Clock, DRL	
		F4	25A	Wiper System	
		F5	10A	Cluster, ABS, Chime Bell, PRND Switch, Brake	
		F6	10A	SDM(Air Bag)	
		F7	10A	Reverse(Back Up) Lamp	
		F8	10A	Cruise Control	
		15C ACC	F9	15A	Audio, Cigarette Lighter, Key & BTSI
		BAT+ 30A	F10	15A	Auto Antenna, Audio
F11			-	Not Used	
F12			-	Not Used	
F13			15A	Anti Theft	
System Voltage		F14	10A	DLC "16" Terminal	
		F15	10A	ABS, A/C, Defroster, Ignition Relay "2"	
		F16	10A	ABS	

* 30 : BAT(+) Power Supply Through Ef1.

3. POSITION OF CONTROL UNIT, RELAY AND PART NUMBER

1) ENGINE ROOM FUSE BOX

Part Name	Part No	Remarks
Fuel Pump Relay	96190187	4 Pin
Fog Lamp Relay	96190187	
Horn Relay	96190187	
Illumination Relay	96190187	
Head Lamp Relay	96190187	
A/C Compressor Relay	96190187	
Rear Window Defroster Relay	96190189	4 Pin
Radiator Cooling Fan High Speed Relay	96190189	
Radiator Cooling Fan Low Speed Relay	96190189	
IGN 1 Relay	96190189	
IGN 2 Relay	96190189	

2) PASSENGER ROOM FUSE BOX

Part Name	Part No	Remarks
ABS Relay	12088595	

3) BEHIND DRIVER LEG ROOM CONNECTOR HOLDER

Part Name	Part No	Remarks
Blinker Unit(Turn Signal Relay)	96312545	
Wiper Relay	96250544	
Blower Motor 4th Speed Relay	96190189	
BTSS & Key Interlock Unit	96312299	

4) UPPER DRIVER LEG ROOM

Part Name	Part No	Remarks
Chime Bell	96219056	

5) BEHIND LEFT HEAD LAMP

Part Name	Part No	Remarks
Radiator Cooling Fan Control Relay	96312958	

6) BEHIND DRIVER SIDE LEFT KICK PANEL

Part Name	Part No	Remarks
E B C M	96313430	
Central Door Locking Relay	96312298	

7) FLOOR PANEL BEHIND I/P CENTER PART

Part Name	Part No	Remarks
Anti-Theft Control Unit	96190181	
DRL (Day Time Running Light) Module	96240514	

8) FLOOR PANEL BELOW FRONT CONSOLE

Part Name	Part No	Remarks
S D M	96312354	